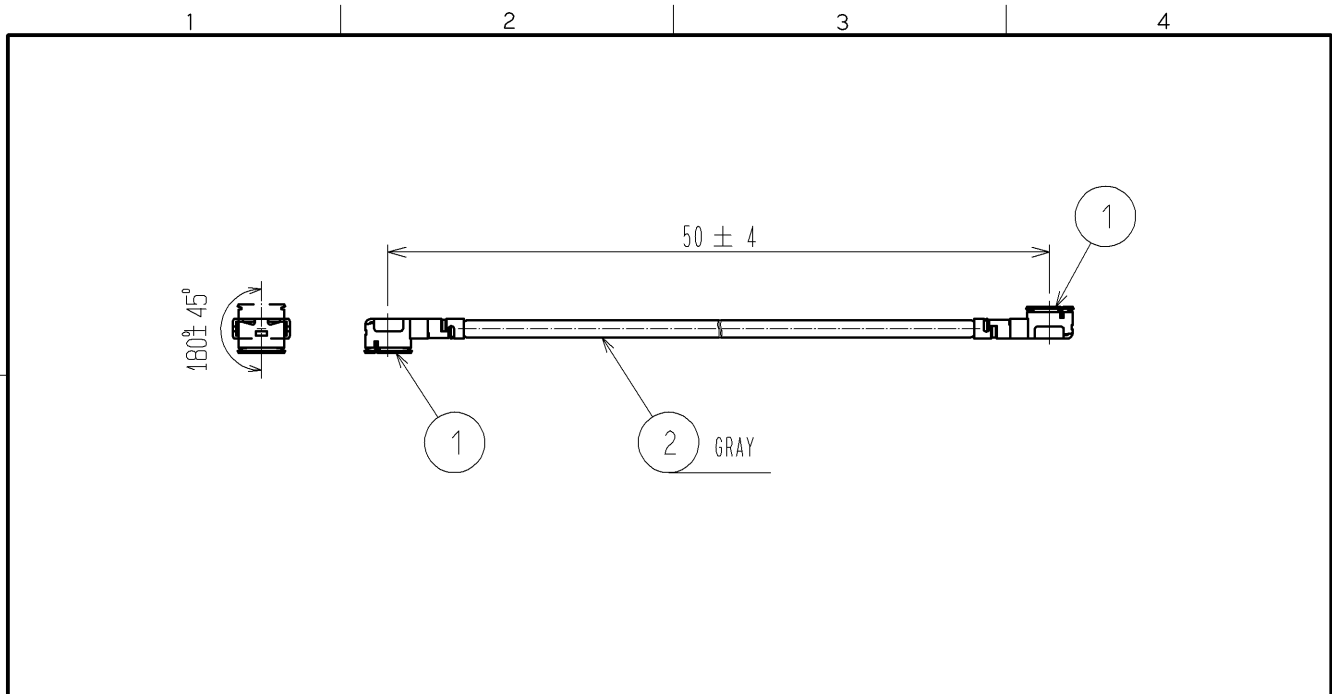
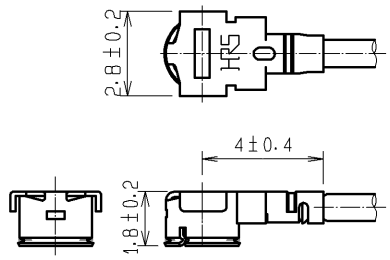


APPLICABLE STANDARD						
RATING	OPERATING TEMPERATURE RANGE	-40°C TO 90°C(90%RH MAX)	STORAGE TEMPERATURE RANGE	-40°C TO 90°C(90%RH MAX)		
	POWER	_____W	CHARACTERISTIC IMPEDANCE	50Ω ( 0 TO 6GHz)		
	PECULIARITY	_____	APPLICABLE CABLE	RF-MF5023(GRAY) :NISSEI ELECTRIC CO.,LTD.		
SPECIFICATIONS						
ITEM	TEST METHOD		REQUIREMENTS	QT	AT	
CONSTRUCTION						
GENERAL EXAMINATION	VISUALLY AND BY MEASURING INSTRUMENT.		ACCORDING TO DRAWING.	x	x	
MARKING	CONFIRMED VISUALLY.			x	x	
ELECTRIC CHARACTERISTICS						
CONTACT RESISTANCE	10 mA MAX (DC OR 1000 Hz).		CENTER CONTACT	81 mΩ MAX.	x	x
			OUTER CONTACT	31 mΩ MAX.	x	x
INSULATION RESISTANCE	100 V DC.		500 MΩ MIN.		x	x
VOLTAGE PROOF	200 V AC FOR 1 min.CURRENT LEAKAGE 2mA MAX.		NO FLASHOVER OR BREAKDOWN.		x	x
VOLTAGE STANDING WAVE RATIO	FREQUENCY 0.045 TO 6 GHz.		VSWR	1.3 MAX.	x	—
INSERTION LOSS	FREQUENCY ----- TO ---- GHz		_____ dB MAX.		—	—
MECHANICAL CHARACTERISTICS						
CABLE CLAMP ROBUSTNESS (AGAINST CABLE PULL)	APPLYING A PULL FORCE THE CABLE AXIALLY AT 7 N MAX.		① NO WITHDRAWAL AND BREAKAGE OF CABLE. ② NO BREAKAGE OF CLAMP.		x	—
	COUNT	DESCRIPTION OF REVISIONS	DESIGNED	CHECKED	DATE	
△						
REMARK			APPROVED	NK. NINOMIYA	14.05.14	
RoHS COMPLIANT			CHECKED	MT. KANEKO	14.05.14	
			DESIGNED	MS. MATSUMOTO	14.05.13	
Unless otherwise specified, refer to JIS C 5402 / IEC-60512.			DRAWN	MS. MATSUMOTO	14.05.13	
Note QT:Qualification Test AT:Assurance Test X:Applicable Test			DRAWING NO.		ELC4-327564-03	
<b>HRS</b>	SPECIFICATION SHEET		PART NO.	U. FL-2LP-062N1D-AG-(50)		
	HIROSE ELECTRIC CO., LTD.		CODE NO.	CL321-4944-4-03	△ 1/1	

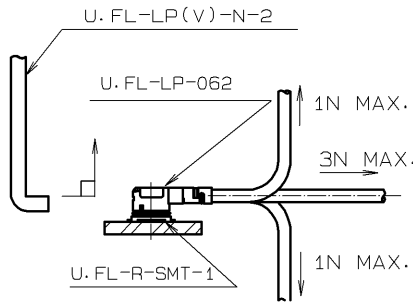


[DIMENSIONS OF CONNECTOR]



[PRECAUTIONS FOR HANDLING]

- ◆Connector insertion and extraction
  - a. Connector shall be extracted vertically by specialised extraction JIG.  
Part No. :U.FL-LP(V)-N-2(CL Code:CL331-0493-2)  
Never hold the cable when extracting the cable because it damages the connector.
  - b. Insert the connector as perpendicularly to the mating surface as possible by aligning the mating axes of both connectors. Do not excessively slant the connectors when inserting.
- ◆Allowable loads on the cable after the connectors are mated.  
The figures below show the maximum allowable loads on the cable. Do not apply loads exceeding these values to the cable.



RoHS COMPLIANT

1	U.FL-LP-062	CL331-0455-3	2	RF-MF5023(GRAY)	NISSEI ELECTRIC CO.,LTD.
NO.	PART NO.	CODE NO.	NO.	PART NO.	MANUFACTURER

UNITS mm		SCALE FREE	COUNT	DESCRIPTION OF REVISIONS	DESIGNED	CHECKED	DATE
-------------	--	---------------	-------	--------------------------	----------	---------	------

HIROSE ELECTRIC CO.,LTD.	APPROVED :NK.NINOMIYA	14.05.14	DRAWING NO.	EDC4-327564-03	
	CHECKED :MT.KANEKO	14.05.14	PART NO.	U.FL-2LP-062N1D-AC-(50)	
	DESIGNED :MS.MATSUMOTO	14.05.13	CODE NO.	CL321-4944-4-03	
	DRAWN :MS.MATSUMOTO	14.05.13			